

Panasonic

Ceiling Mount Bracket WV-Q107AE

Operating Instructions



Before attempting to connect or install this product, please read these instructions carefully and save this manual for future use.

N1199-0

YWV8QA5354AN

Printed in Japan
N: 19

PREFACE

The Ceiling Mount Bracket WV-Q107AE is used to mount the Combination Camera WV-CS850 or WV-CS854 on a ceiling.

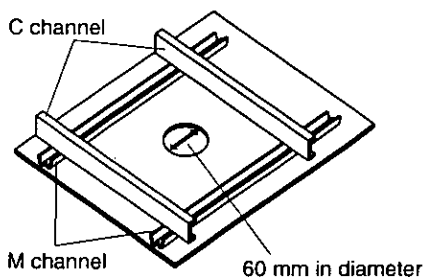
PRECAUTIONS

- Fasten the bracket to a ceiling strong enough to support the camera weight (approx. 2.5 kg).
- Wipe the bracket regularly using a soft and dry cloth, or a cloth moistened with a water solution of an ordinary kitchen detergent.
- Do not use chemicals for cleaning the enclosure as it may damage the surface.
- All the necessary steps required for installing this product must be taken by a qualified service person or system installer.
- Be sure to use the anti-tail wire.

The model numbers in this Operating instructions are shown without suffix.

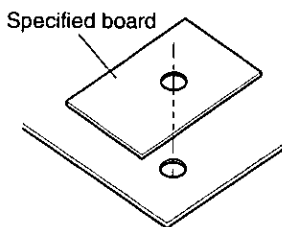
INSTALLATIONS

- 1 Make a hole (60 mm in diameter) in the ceiling and four holes in the wall using the Template (supplied).

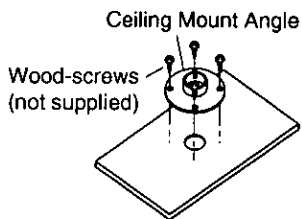


- 2 Have the specified board ready to suspend the bracket.

- 3 Make a hole (60 mm in diameter) in the specified board.

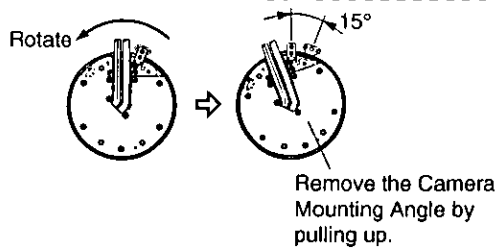
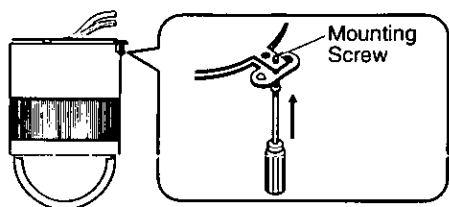


- 4 Fasten the Ceiling Mount Angle (supplied) with four screws (not supplied) as shown below.

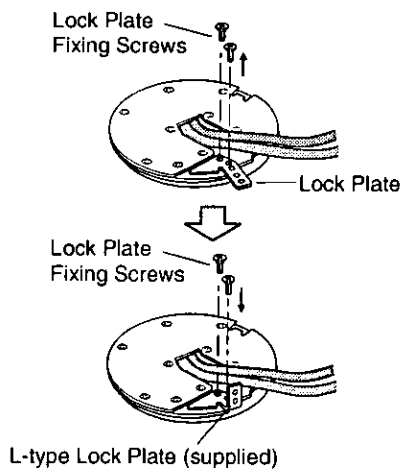


5 Attach the board to the ceiling.

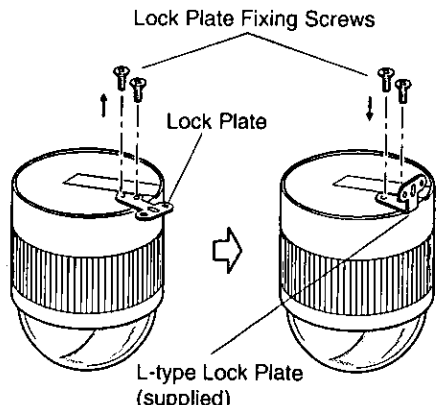
6 Remove the Mounting Screw (M3, supplied), pull up the Camera Mounting Angle off the camera, and turn the camera counterclockwise.



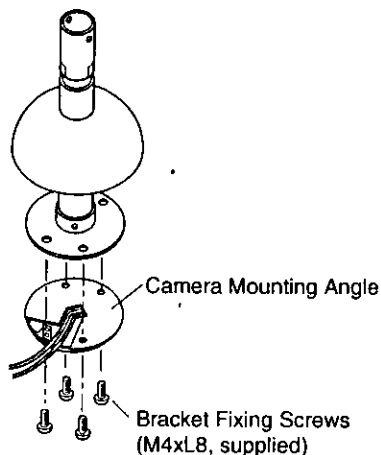
7 Remove the two Lock Plate Fixing Screws, take the Lock Plate off the Camera Mounting Angle, then fasten the Lock Plate (supplied with the bracket). Retighten the two Lock Plate Fixing Screws removed just before.



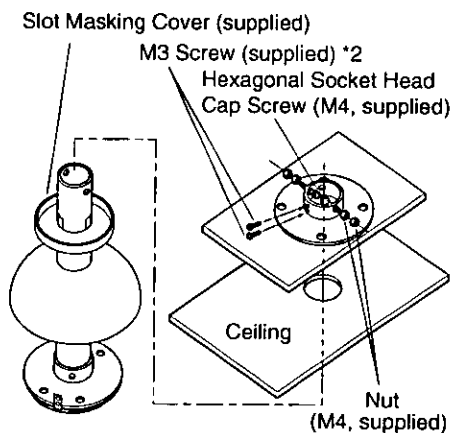
8 Remove the two Lock Plate Fixing Screws, take the Lock Plate off the combination camera, then fasten the L-type Lock Plate (supplied with the bracket). Retighten the two Lock Plate Fixing Screws removed just before.



- 9** Pass the power cord and video cables through the hole in the Camera Mounting Angle, and fasten it to the bracket with the four Bracket Fixing Screws (M4x8L, supplied).



- 10** Fit the Slot Masking Cover (supplied) over the bracket, insert the Hexagonal Socket Head Cap Screws (M3, supplied) into their holes, and fasten the Ceiling Mount Angle (supplied) with the two nuts (M3, supplied).

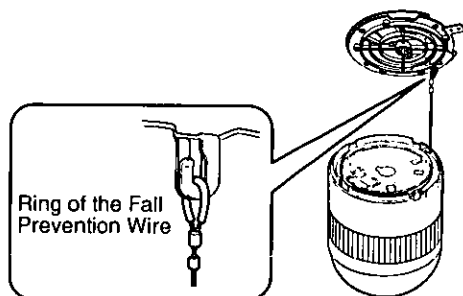


- *1 Use two nuts.
*2 Fasten finally.

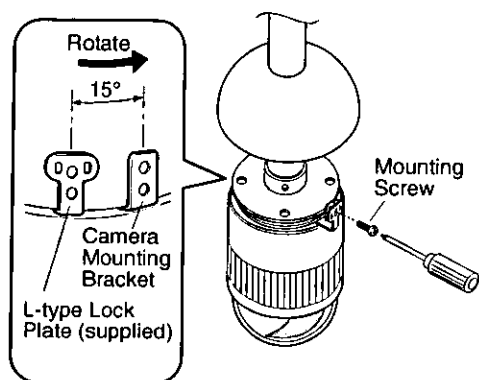
- 11** Suspend the Fall Prevention Wire for the camera from the Camera Mounting Angle.

Note: Make sure that the wire matches the Fall Prevention Wire Fixing Angle.

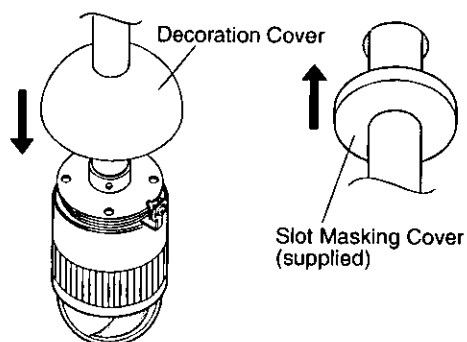
- * The bracket is not shown in the illustrations.



- 12** Attach the camera to the Camera Mounting Angle, turn the camera clockwise, and tighten the Mounting Screw (M3, supplied)



- 13** Place the Decoration Cover for the bracket on the camera. Then, pull up the Slot Masking Cover (supplied).

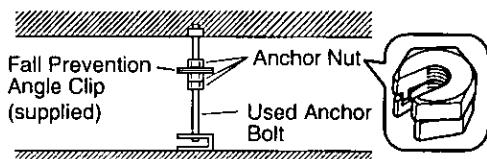
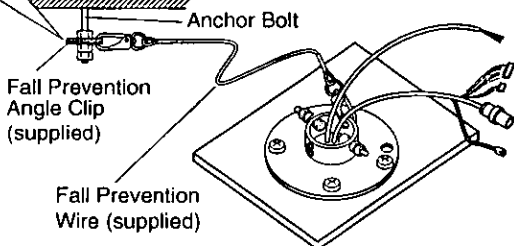
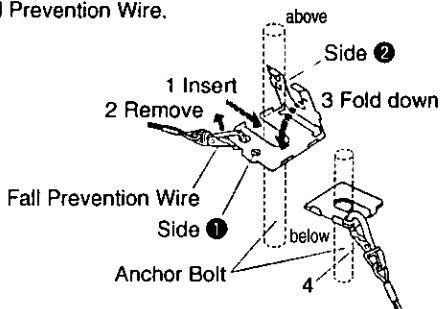


- 14** Attach the Fall Prevention Angle Clip (supplied) to the anchor bolt.
Attach the Fall Prevention Angle (supplied) to the bracket and the Fall Prevention Angle Clip.

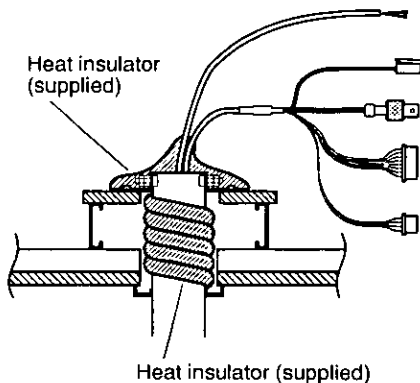
Note: Two anchor nuts are necessary for the anchor bolt.

Instructions for the Fall Prevention Angle Clip (Supplied)

1. Remove the Fall Prevention Wire from the Fall Prevention Angle Clip.
2. Insert anchor bolt from side ①.
3. Fold side ② down over side ①.
4. Suspend the Fall Prevention Angle Clip from the other end of the Fall Prevention Wire.



- 15** Cover the bracket with the Heat Insulator (supplied).



SPECIFICATIONS

Ambient Operating Temperature:	10°C - +50°C (14°F - 122°F)
Dimensions:	120 (diameter) x 218 (D) mm [4-8/11 (diameter) x 8-9/16 (D)]
Weight:	650 g (1.43 lbs)

Weight and dimensions indicated are approximate.
Specifications are subject to change without notice.

STANDARD ACCESSORIES

Fall Protection Wire	1pc.	Spanner	1pc.
Fall Prevention Angle Clip	1pc.	Nut (M4)	4pcs.
Ceiling Mounting Angle	1pc.	Screw (M3)	2pc.
L-type Base Plate	1pc.	Bracket Fixing Screw (M4xL8)	4pcs.
L-type Lock Plate	1pc.	Template	1pc.
Slot Masking Cover	1pc.	Heat Insulator	1pc.
Hexagonal Socket Head Cap Screw (M4)	2pcs.		

Matsushita Electric Industrial Co., Ltd.

Central P.O. Box 288, Osaka 530-91, Japan

STANDARD ACCESSORIES

Fall Protection Wire	1pc.	Spanner	1pc
Fall Prevention Angle Clip	1pc.	Nut (M4)	4pcs
Ceiling Mounting Angle	1pc.	Screw (M3)	2pc
L-type Base Plate	1pc.	Bracket Fixing Screw (M4xL8)	4pcs
L-type Lock Plate	1pc.	Template	1pc
Slot Masking Cover	1pc.	Heat Insulator	1pc
Hexagonal Socket Head Cap Screw (M4)	2pcs.		

Matsushita Electric Industrial Co., Ltd.

Central P.O. Box 288, Osaka 530-91, Japan